



Robotics

Inverse Kinematics of 6-DOF Serial Manipulator

Vladimír Smutný

Center for Machine Perception

Czech Institute for Informatics, Robotics, and Cybernetics (CIIRC)

Czech Technical University in Prague

1

2

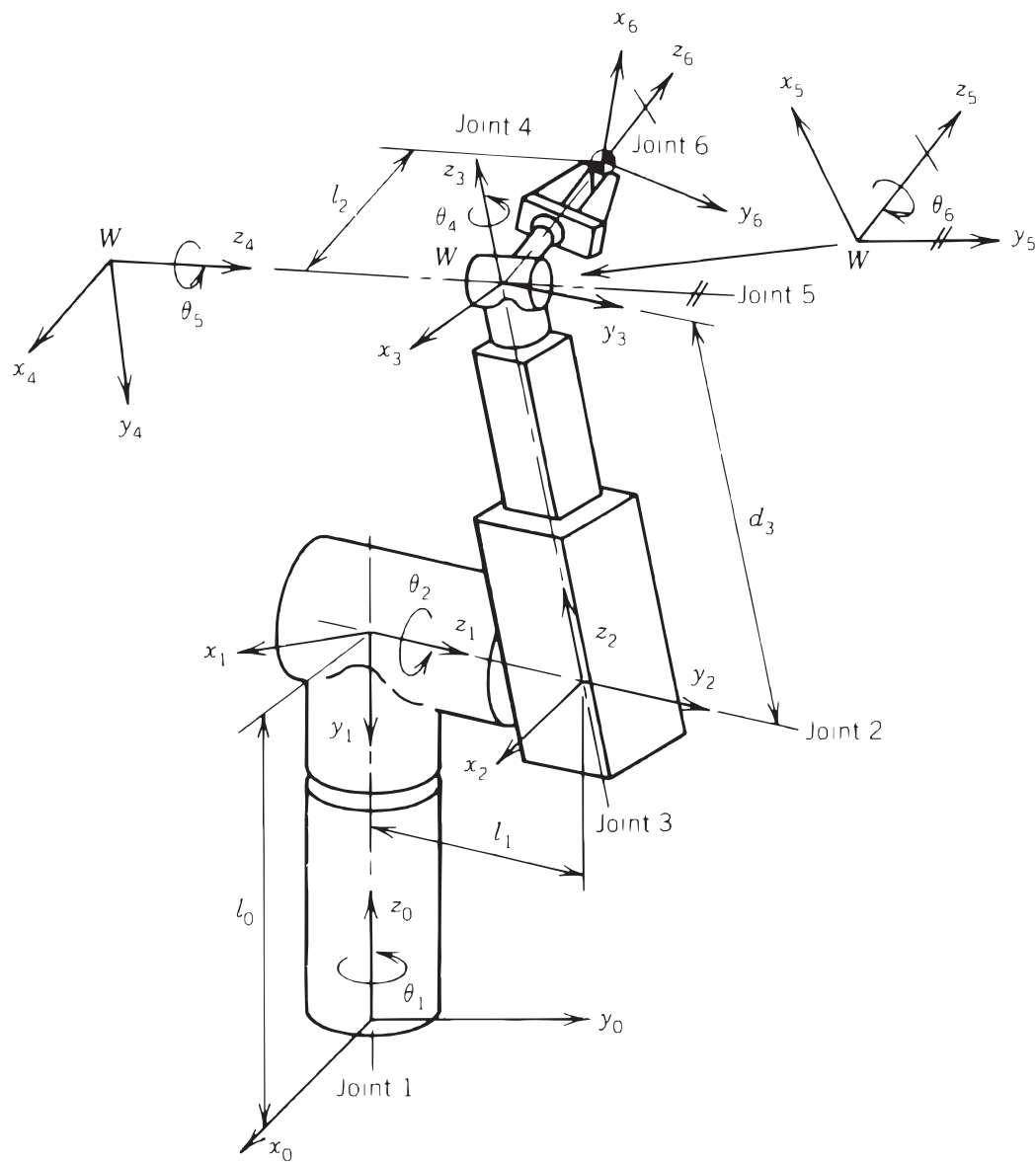
3

4

Inverse kinematics of 6-DOF manipulator with three intersecting axes



m p



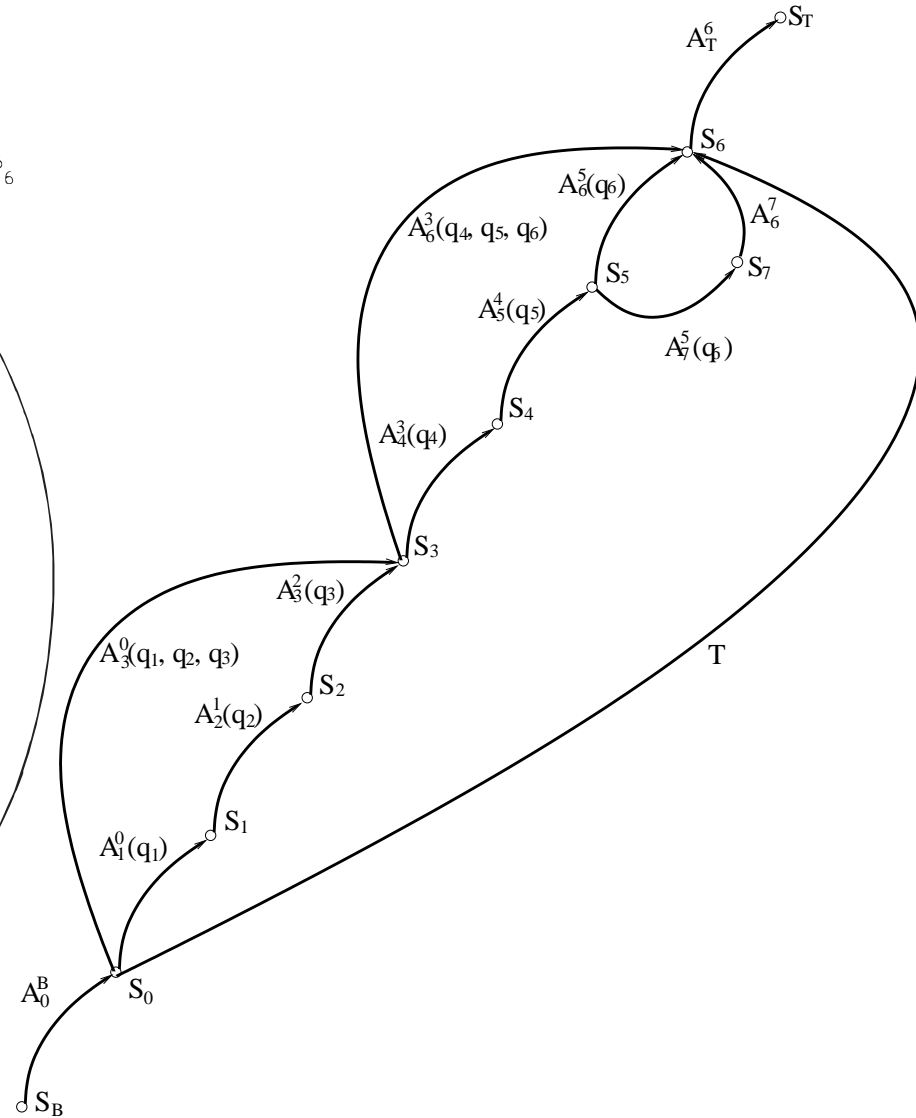
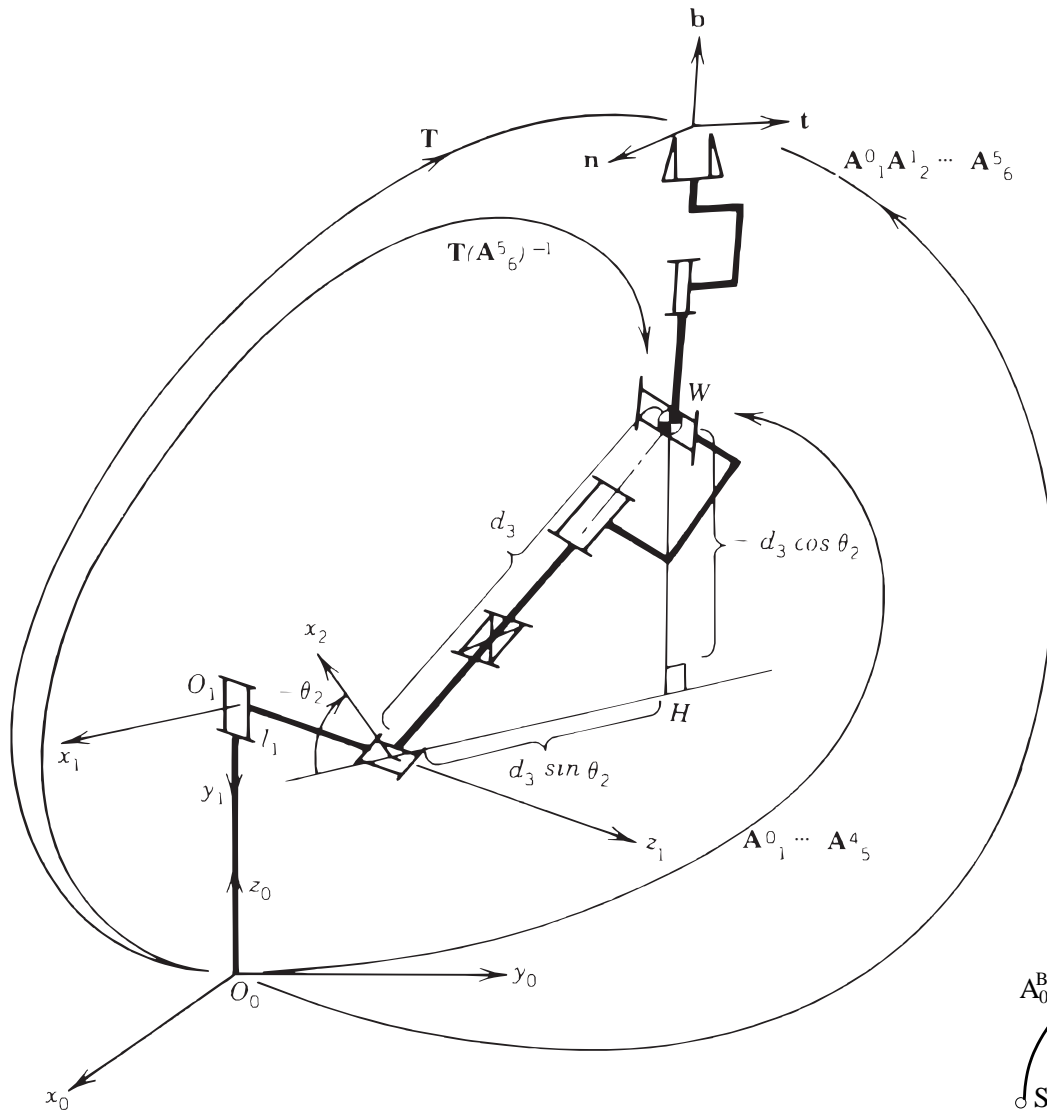
1

2

3

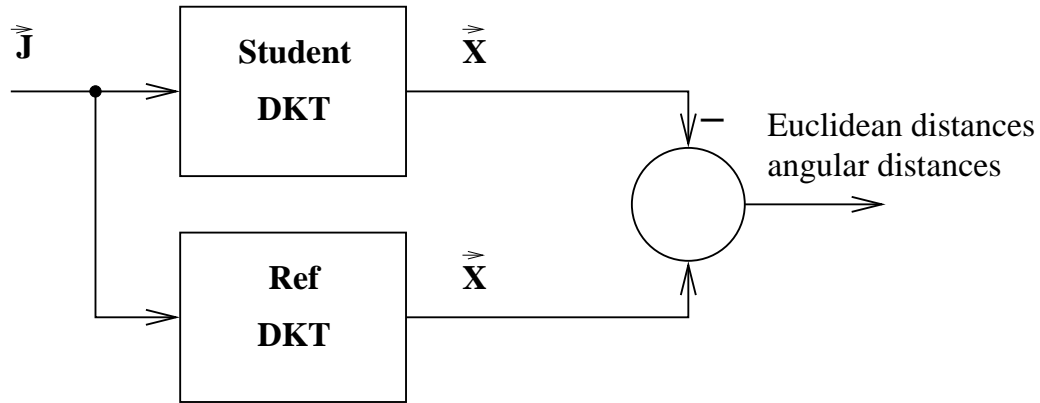
4

Inverse kinematics of 6-DOF manipulator with three intersecting axes





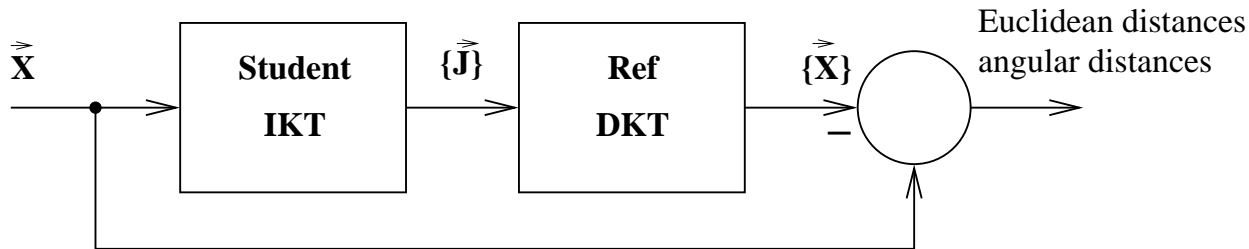
Test of DKT



1

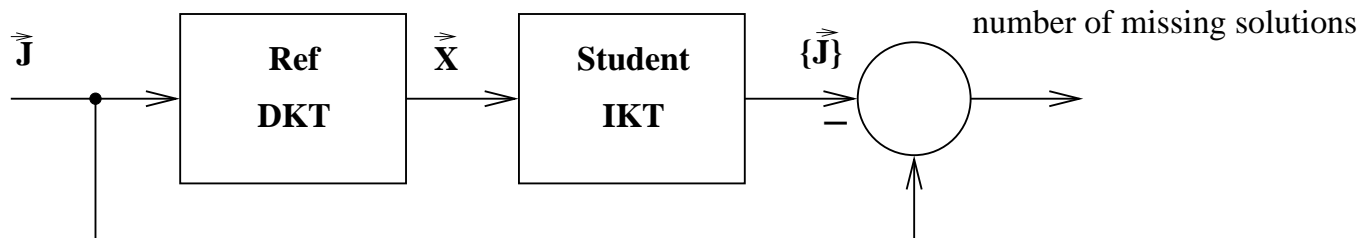
2

Test of IKT – distances

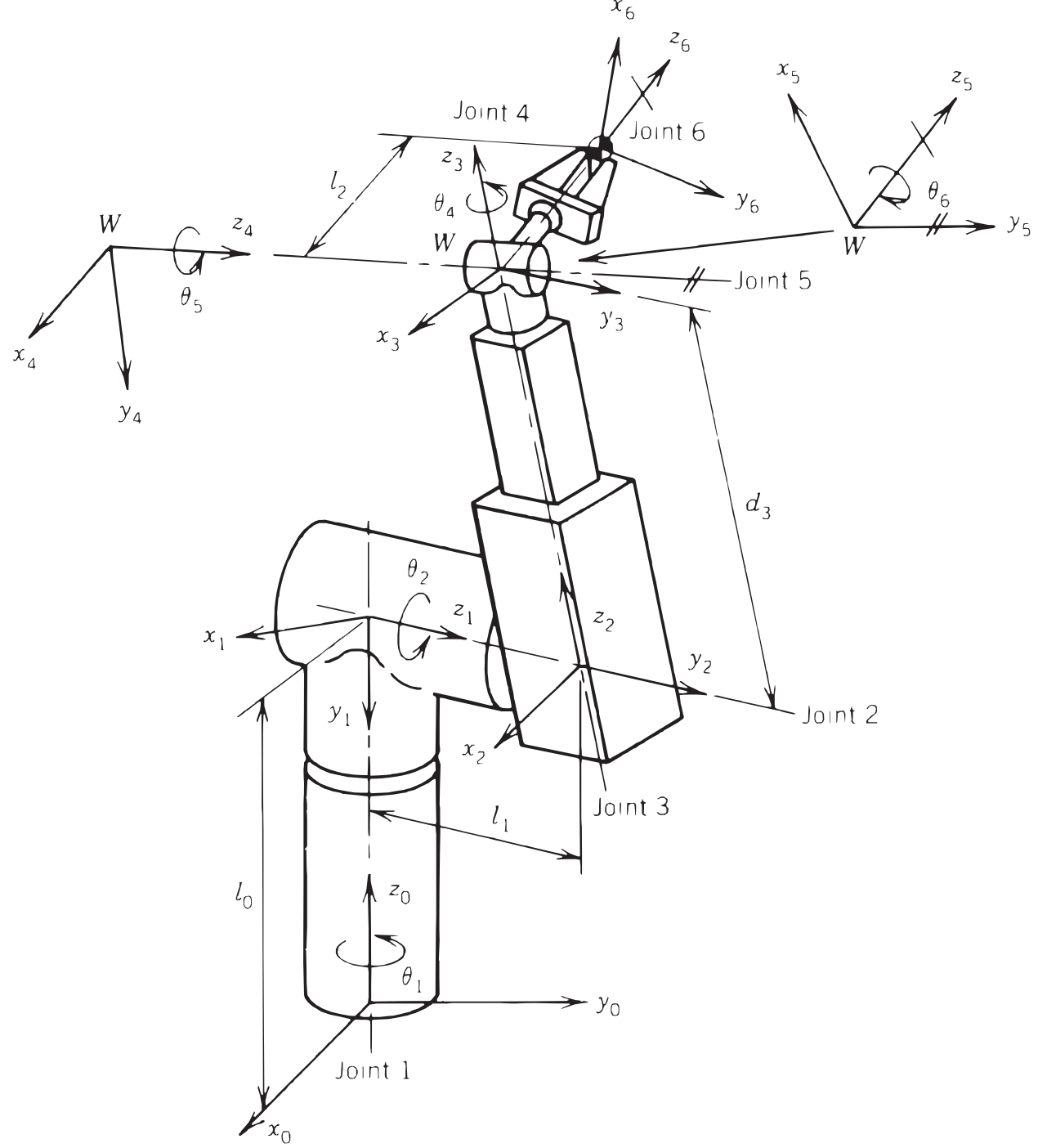


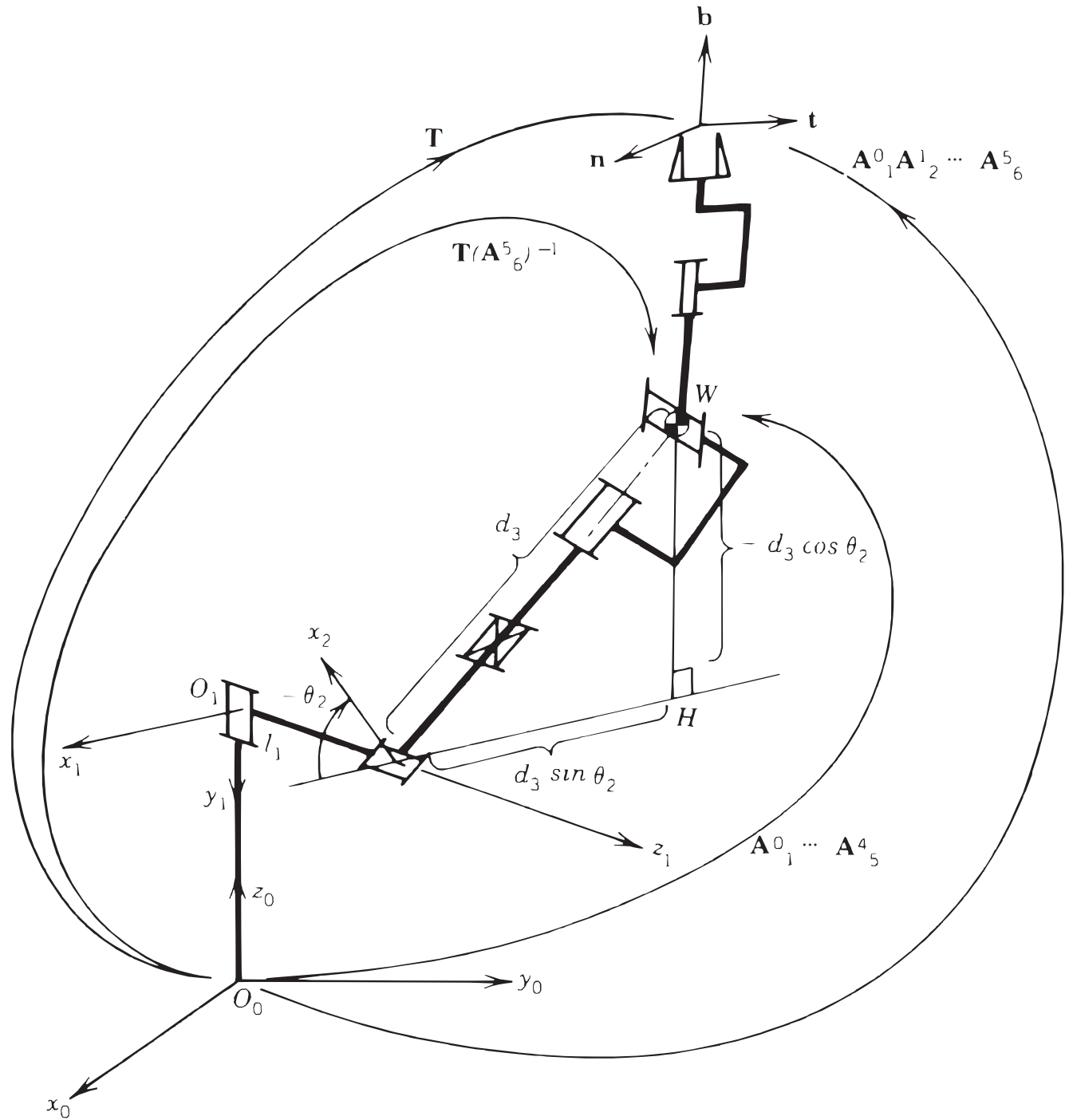
3

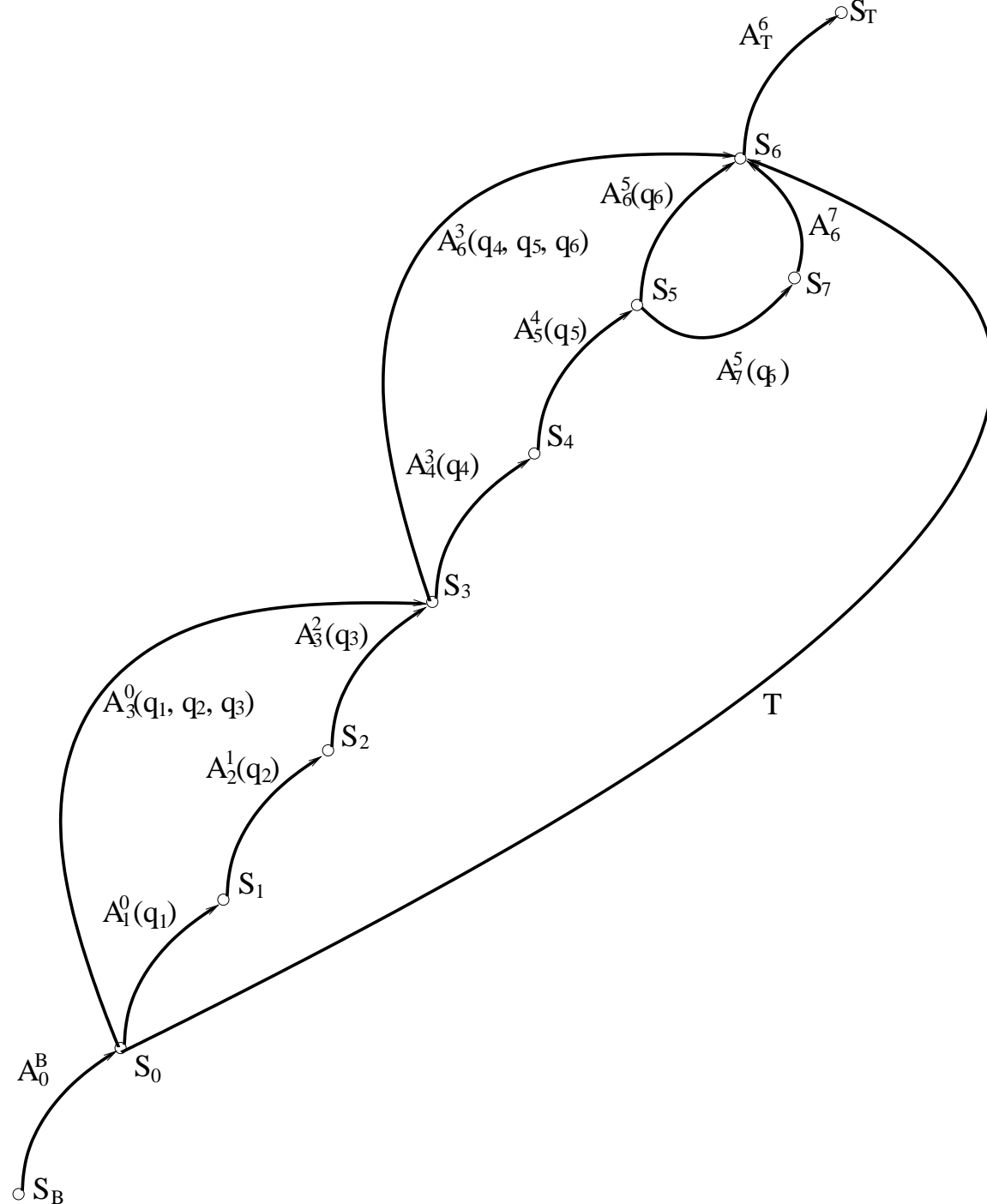
Test of IKT – missing solutions



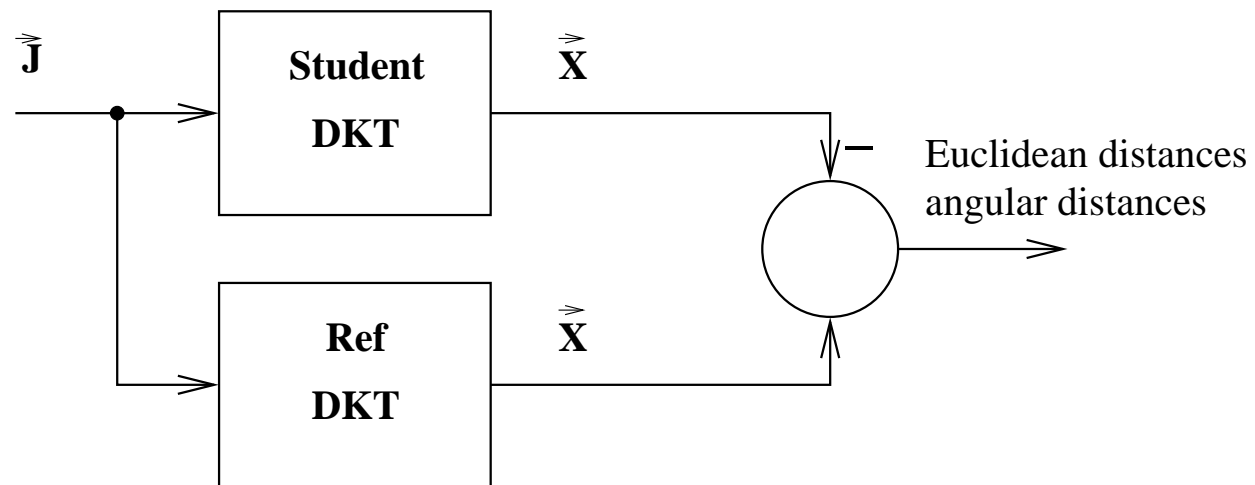
4



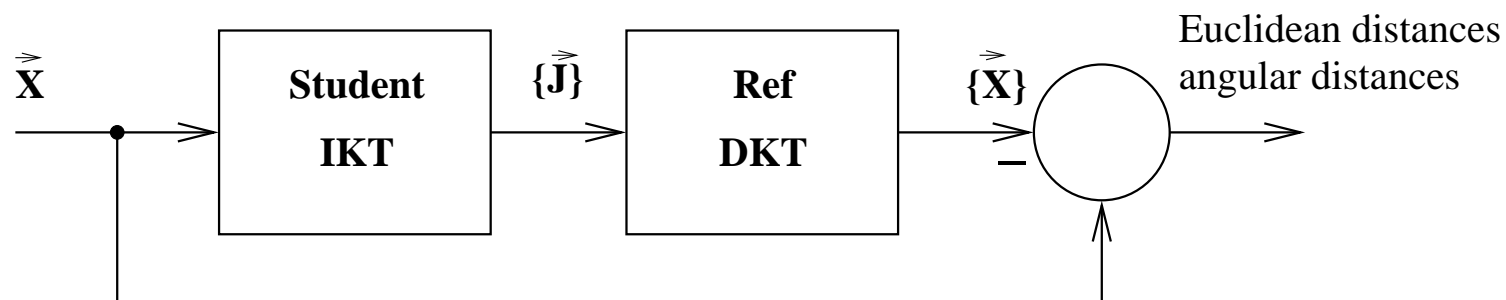




Test of DKT



Test of IKT – distances



Test of IKT – missing solutions

