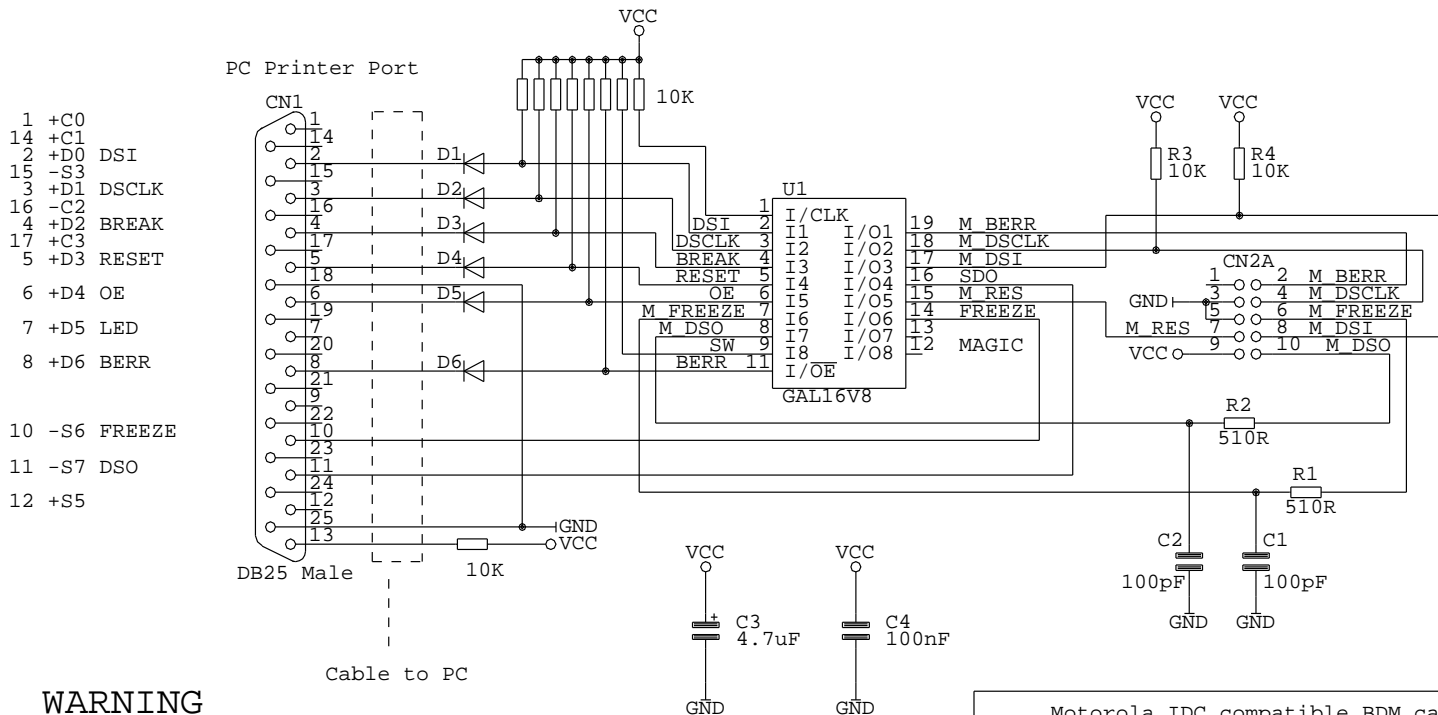


# OPAL file definition

```

begin_definition
device GAL16V8
inputs
  DSI=2,DSCLK=3,BREAK=4,RESET=5,OE=6,M_FREEZE=7,M_DSO=8,SW=9,BERR=11;
outputs (com)
  M_BERR=19,M_DSCLK=18,DSO=16,FREEZE=14,MAGIC=12;
feedback (com)
  M_DSI=17,M_RESET=15,FF_BREAK=13;
end_definition
begin_equations
M_DSI=DSI;      M_DSI.oe=M_FREEZE&OE;
M_DSCLK=DSCLK&FF_BREAK&M_RESET;
FF_BREAK=BREAK | (FF_BREAK&(M_FREEZE|M_DSI));
M_RESET=RESET;  M_RESET.oe=/RESET;
M_BERR=/BERR;  M_BERR.oe=BERR;
FREEZE=M_FREEZE;DSO=M_DSO;      MAGIC=0;
end_equations

```



## WARNING

This is not official schematic and GAL definition.  
 GAL definition is my own, I have not had any original ICD cable.

Motorola IDC compatible BDM cable		
Size A	Document Number	REV A
Date:	April 27, 1998	Sheet of 1